

# SOLTAIRE 120

## TOP HUNG STRAIGHT SLIDING DOOR SYSTEM FOR DOORS UP TO 120kg EACH

### APPLICATIONS

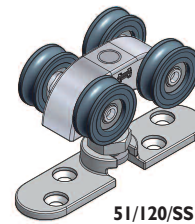
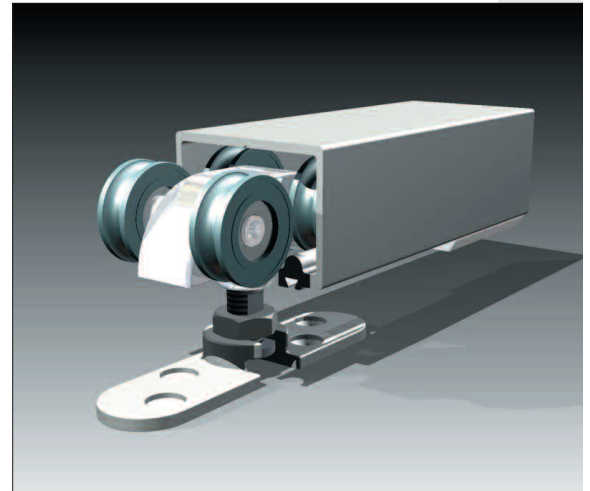
- ▶ Manufactured from high grade 316 stainless steel with anodised aluminum track.
- ▶ This reliable system is extremely durable and ideal for coastal applications or heavy use.
- ▶ Ideal for areas requiring a high level of corrosion resistance.
- ▶ Designed for interior and exterior doors up to 120 kg.
- ▶ Ideal for residential or commercial applications.
- ▶ Designed to accommodate one sliding panel or two bi-parting doors on a single track.
- ▶ Hangers available for MDF, timber or metal doors.
- ▶ The track can be soffit fixed or face fixed to give flexibility of installation.

### DOOR SPECIFICATION

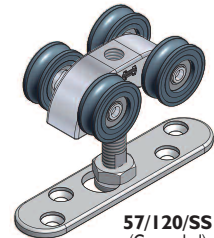
Maximum panel weight	120 kg
Maximum panel thickness	48mm
Minimum panel thickness	19mm
Maximum panel height	3000mm

### GEAR SPECIFICATION

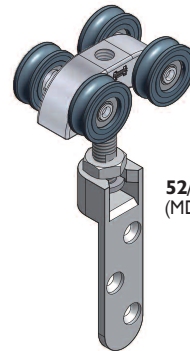
<b>Track</b>	Anodised aluminium (25 microns) available in lengths <i>Soffit fix spacing 600mm centres (maximum)</i>	120/2000, 120/2500, 120/3000, 120/4000, 120/5000 & 120/6000
<b>Brush strips</b>	Available in black in 4 brush heights, by the metre	BS10, BS15, BS20, BS25(mm)
<b>Brackets</b>	Face fixed stainless steel Double run face fixed stainless steel <i>Starting 20mm from end of track fix at 600mm centres (maximum)</i>	1/SS 5/SS
<b>Hangers</b>	2 required per door MDF doors - face fixing Timber doors - top fixed - surface mounted - (concealed) plate fixing Metal doors - angle frame door fixing	52/120/SS 51/120/SS 57/120/SS 56/120/SS
<b>Guides</b>	- (concealed) fixing with SS bearing - nylon saw cut guide - wall mounted guide - metal door - box section metal door - for multiple runs of doors use	106 SS/94 102 N 102 SS/94 104 P/89 104 PX/89 102 SS/94
<b>Channels</b>	Aluminum (2000, 2500, 3000 & 6000mm lengths) Brass (1500 & 3000mm length only) Stainless steel (3000mm length only) Polypropylene channel Aluminum supporting channel for polypropylene	94X 94 89SS 94P 94SC
<b>Track Stop</b>	HH4/SS	



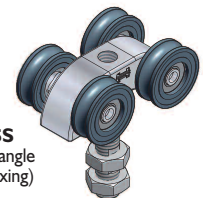
**51/120/SS**  
(Top Fix)



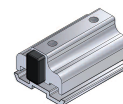
**57/120/SS**  
(Concealed)  
Plate fixing



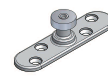
**52/120/SS**  
(MDF Door)



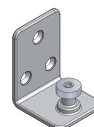
**56/120/SS**  
(Metal Door/angle  
frame door fixing)



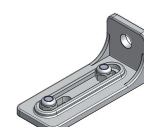
**HH4/SS**  
(Track stop)



**106 SS/94**  
(Guide)



**102 SS/94**  
(Guide)

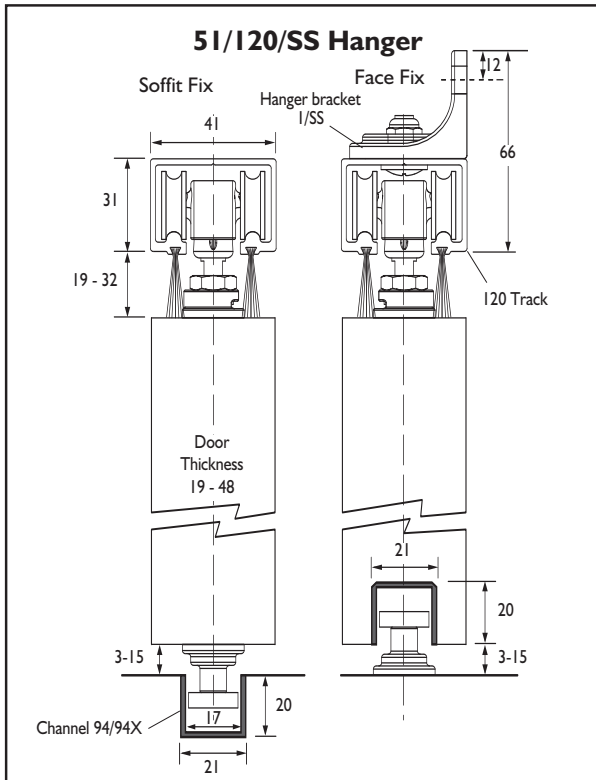


**5/SS**  
(Bracket)

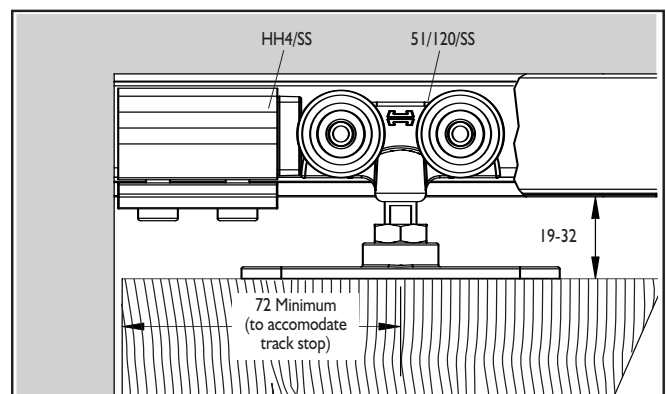
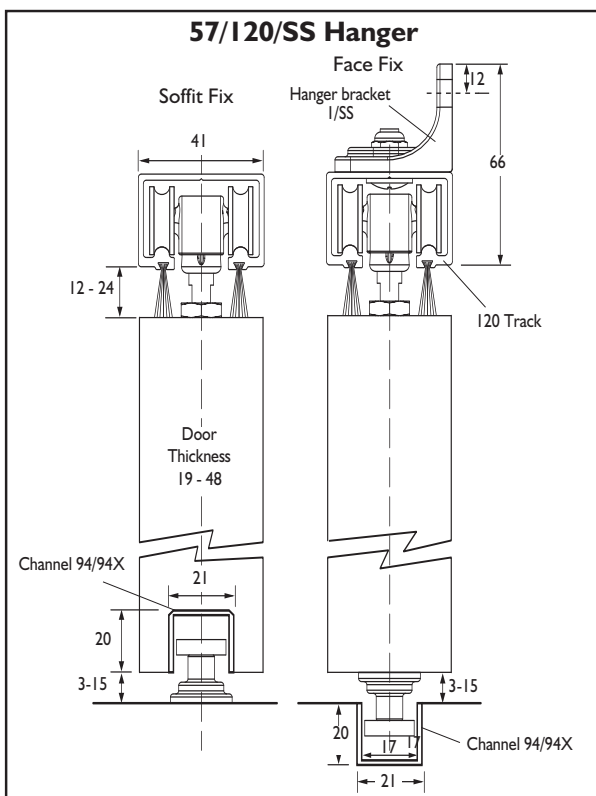
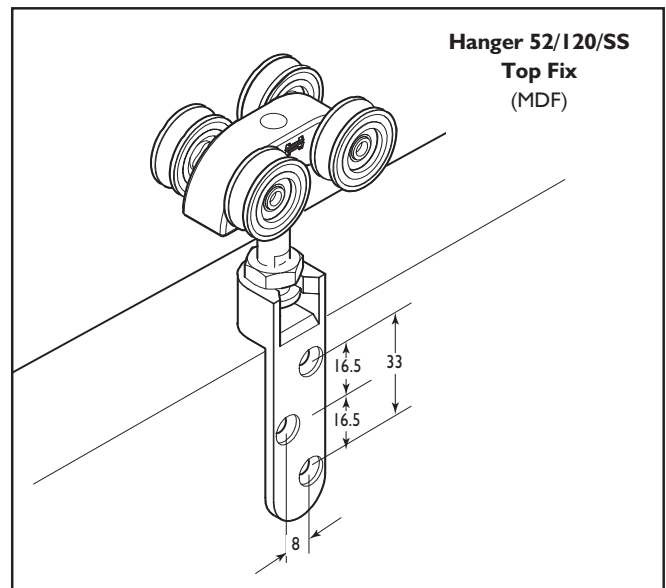
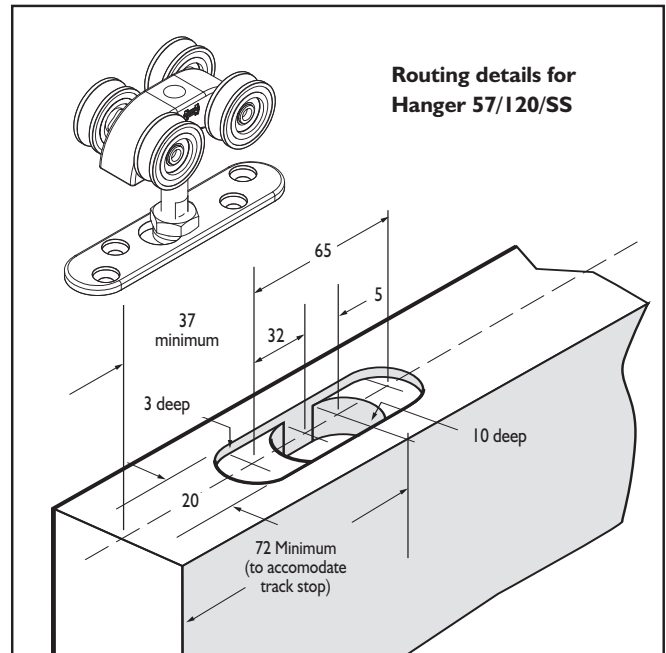


**1/SS**  
(Bracket)

# SOLTAIRE 120



For MDF doors 19-23mm you must use hanger 52/120/SS and for doors 24-48 there is an option of surface mounted or routed (51/120/SS or 57/120/SS)



(All dimensions shown in mm's)

**HENDERSON**

P C Henderson Limited, Durham Road, Bowburn, County Durham DH6 5NG, UK. Web: [www.pchenderson.com](http://www.pchenderson.com)  
 UK Customer Services Department: Tel: +44 (0)191 377 7345 Fax: +44 (0)191 377 3116 Email: [sales@pchenderson.com](mailto:sales@pchenderson.com)  
 Export Department: Tel: +44 (0)191 377 7346 Fax: +44 (0)191 377 0755. Email: [international@pchenderson.com](mailto:international@pchenderson.com).  
 For all technical queries email our Technical Department: [technical@pchenderson.com](mailto:technical@pchenderson.com)